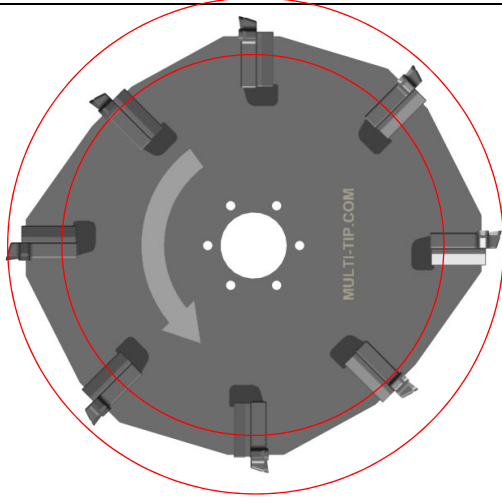


## MULTI TIP Performance

The red circles indicate the width of the slew cut. They also indicate the format in which each tooth steps out, maximising cutting efficiency



### The MultiTip Wheel

MultiTip wheels are an irregular shaped polygon with slots that set the teeth at different distances from the centre. This provides a wide slew cut as well as setting individual teeth to take the required force and no more.

Typically each tooth steps out by 12mm ( $\frac{1}{2}$ "') This format restricts any teeth from cutting too much.

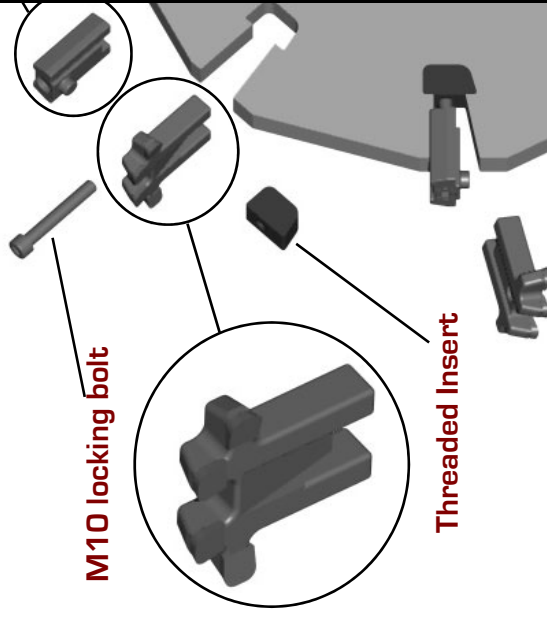
The number of teeth, size of wheel, RPM and distance from the centre of the wheel are calculated for each model of machine. This means that the teeth and wheel are preset, saving time and ensuring optimum performance every time.

Opposite teeth are the same distance from the centre, providing perfect balance every time.

*Start saving time and money by ordering your new innovative MultiTip wheel today*

## MULTI TIP Simplicity

The new MultiTip wheel has threaded inserts and keeper plates, which are both replaceable parts, making the wheel very easily serviceable



M10 locking bolt

Threaded Insert

### The Four Tipped Tooth

Designed to cut efficiently sideways as well as forwards.

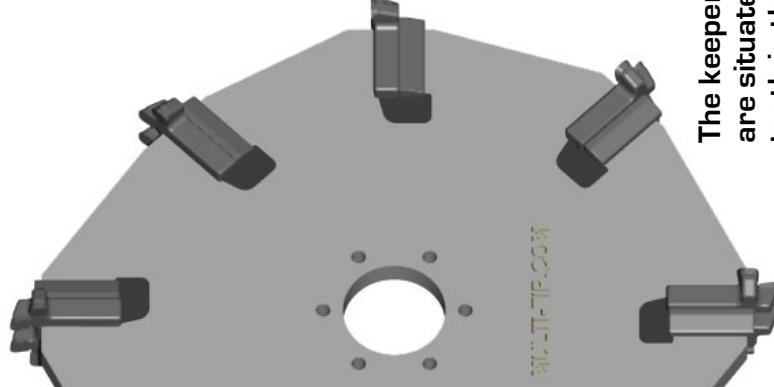
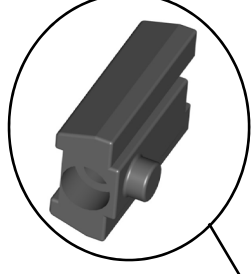
Four carbide tips on one unit reduces material, which saves on cost and reduces drag through the soil.

*Award winning for high level of innovation Worldwide Patent Pending Status Applies*

## MULTI TIP Value

### The Keeper Block

Designed to pull the tooth tight into the wheel. It also reinforces the tooth making the complete assembly very strong.



The keeper block and bolt are situated behind the tooth in the direction of rotation, therefore protected.

*Wheels designed to fit leading makes of tree stump grinder.*

## Quick Change Teeth

## High Performance

## Low Running Costs